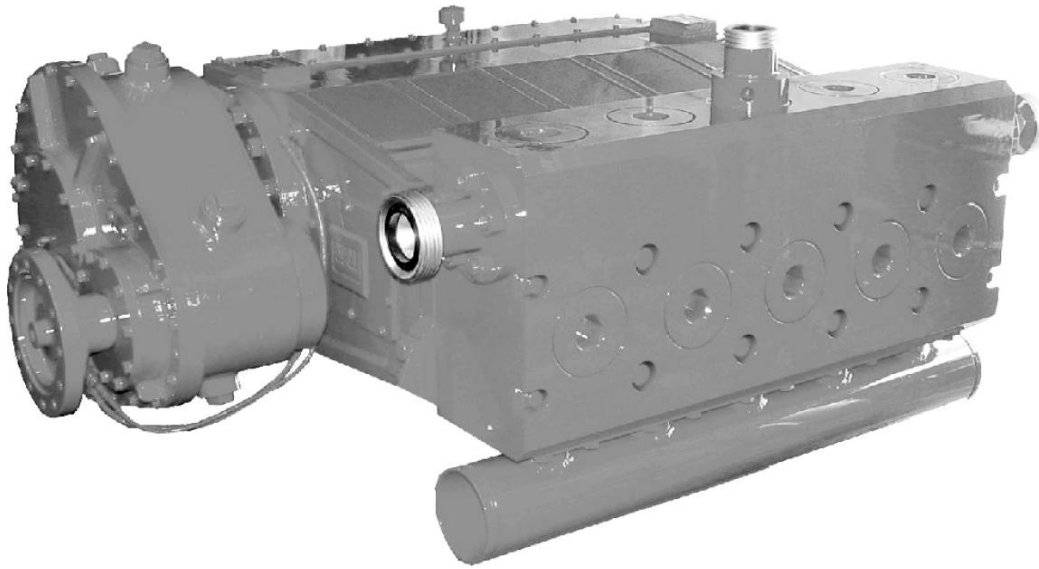


SERVA QPA-1000 PUMP

INTERMITTENT DUTY QUINTUPLEX PLUNGER PUMP

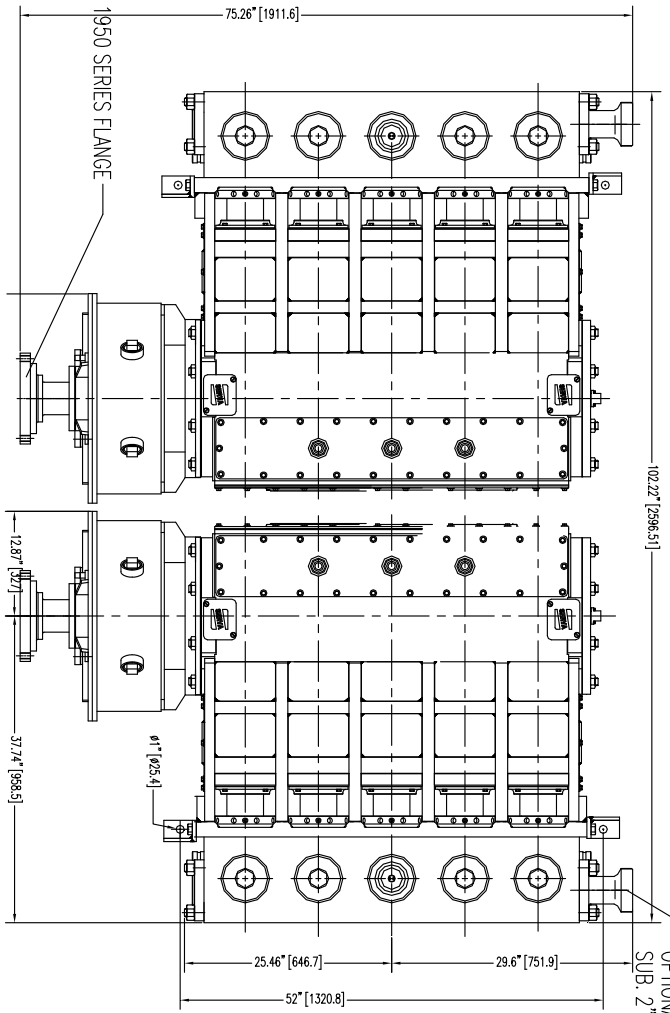
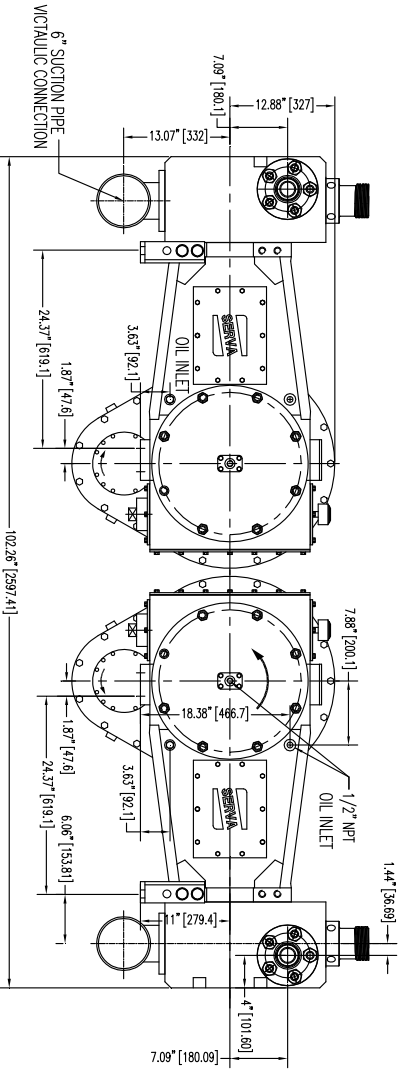
Rated Max Brake Horsepower: 1000BHP(746kw)
 Maximum Rod Load: 100,000lbs(43,360kg)
 Stroke Length: 6"(152.4mm)
 Gear Ratio: 4.6:1
 Pump Weight: 7,000lbs(3,175kg)



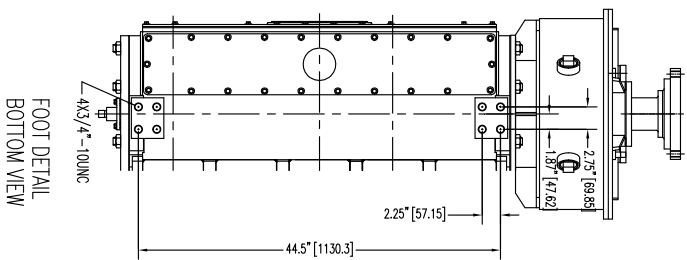
Performance Data*

| PLUNGER DIAMETER | DISPLACE. PER REV | DISPLACEMENT AT PUMP STROKES PER MINUTE/PINION RPM | | | | | | | | | |
|--------------------------|------------------------|--|------------------|--------------|------------------|---------------|-----------------|---------------|-----------------|---------------|-----------------|
| | | 50/230 | | 120/552 | | 200/920 | | 300/1380 | | 450/2070 | |
| In(mm) | Gal/rev (liter/rev) | gpm (lpm) | PSI (MPa) | gpm (lpm) | PSI (MPa) | gpm (lpm) | PSI (MPa) | gpm (lpm) | PSI (MPa) | gpm (lpm) | PSI (MPa) |
| 3" (76.2) | .92 (3.5) | 47 (173) | 14,147 (97.6) | 110 (417) | 14,003 (96.6) | 183 (695) | 8,402 (57.9) | 275 (1042) | 5,601 (38.6) | 413 (1563) | 3,734 (25.8) |
| 3 1/2" (88.9) | 1.25 (4.7) | 62 (237) | 10,394 (71.7) | 150 (568) | 10,288 (71.0) | 250 (947) | 6,173 (42.3) | 375 (1418) | 4,115 (28.4) | 562 (2128) | 2,744 (18.9) |
| 4" (101.6) | 1.63 (6.2) | 82 (308) | 7,958 (54.9) | 197 (742) | 7,877 (54.3) | 327 (1235) | 4,726 (32.6) | 490 (1853) | 3,151 (21.7) | 735 (2780) | 2,100 (14.5) |
| 4 1/2" (114.3) | 2.07 (7.8) | 103 (392) | 6,288 (43.4) | 248 (938) | 6,224 (42.9) | 413 (1563) | 3,734 (25.8) | 620 (2345) | 2,489 (17.2) | 929 (3518) | 1,660 (11.4) |
| INPUT POWER : BHP(Kw) | | 421(314) | | 1000(746) | | 1000(746) | | 1000(746) | | 1000(746) | |

*Based on 90%ME and 100% VE – Intermittent Service Only



3"-FIG1502
OPTIONAL 2"-FIG1502 OR
SUB. 2" INTERNAL LPT



BACK TO BACK INSTALLATION