



SERVApump® TPD 600

Summary

The TPD 600 triplex pump is used for cementing and acidizing service. Its short length allows back to back placement of two pumps on the unit with less than 102" total width.

Main Specification

Power end

Rated Max Brake Horsepower.....600
 Maximum Rod Load.....100,000 lbf
 Stroke Length.....6"
 Gear Ratio.....4.6:1
 Plunger.....2.75" to 4.5"
 Pump Weight.....4,600lbs

Standard Equipment and features

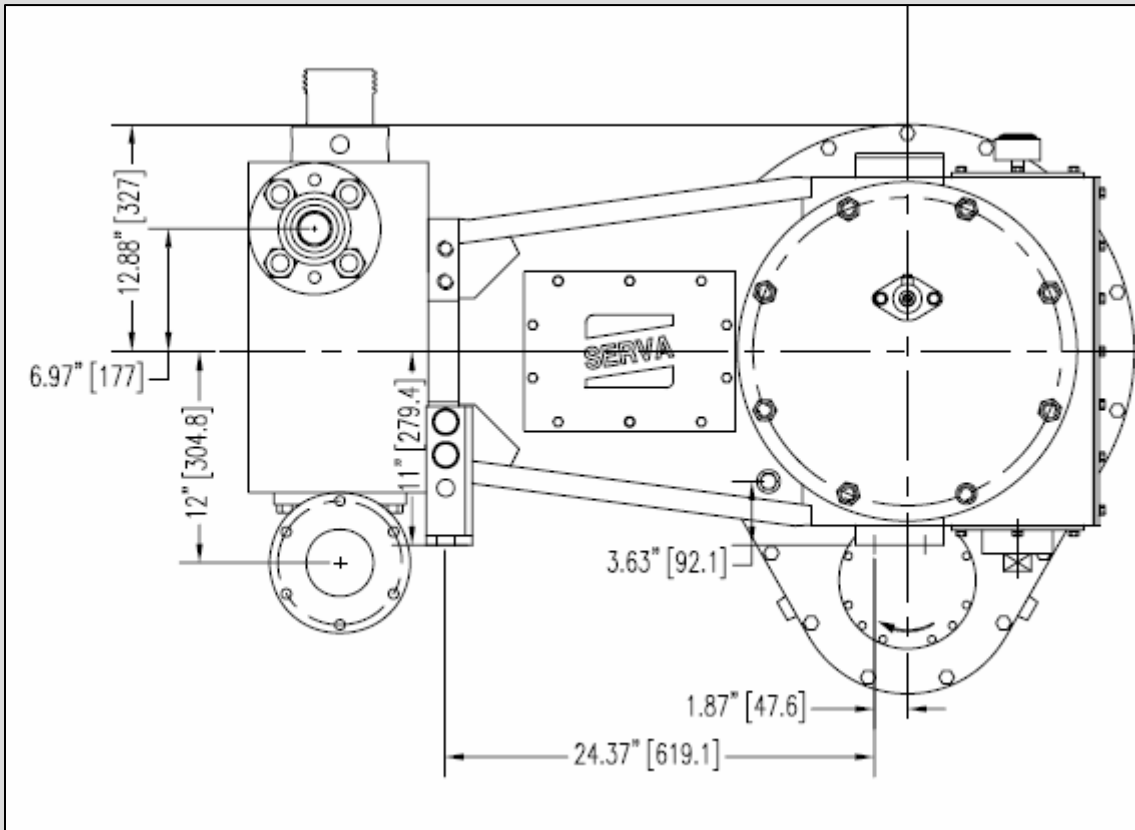
Power End

Crankshaft construction
 Pressure lubricated wrist pins through crankshaft
 Left or right gear box mounting
 16 input drive positions

Standard Equipment and features

Fluid End

Forged alloy steel mono-block fluid end with removable stuffing box
 Valve over valve fluid end
 Left or right side suction and discharge connections
 Suction manifold with Victaulic connections
 Hard coated plungers
 High performance header-ring style packing
 Center-gauge connection
 Fabricated steel suction manifold
 Replaceable alloy steel wing guided valves
 Replaceable urethane valve inserts



SERVApump® TPD 600

Plunger Diameter	Displacement per Revolution	50/230		120/552		200/920		300/1380		450/2070	
		gpm (m3pm)	psi (kg/cm2)	gpm (m3pm)	psi (kg/cm2)	gpm (m3pm)	psi (kg/cm2)	gpm (m3pm)	psi (kg/cm2)	gpm (m3pm)	psi (kg/cm2)
2 1/2" (63.5)	.38 (1.4)	19 (72)	20372 (1436)	46 (174)	20165 (1421)	76 (290)	12099 (835)	115 (434)	8066 (568)	172 (651)	5377 (379)
2 3/4" (69.9)	.46 (1.8)	23 (87)	16836 (1186)	56 (210)	16665 (1174)	93 (350)	9999 (705)	139 (526)	6666 (470)	208 (788)	4444 (313)
3" (76.2)	.55 (2.1)	28 (104)	14147 (997)	66 (250)	14003 (987)	110 (417)	8402 (592)	165 (625)	5601 (395)	248 (938)	3734 (263)
3 1/2" (88.9)	.75 (2.8)	37 (142)	10394 (732)	90 (341)	10288 (725)	150 (568)	6173 (435)	225 (851)	4115 (290)	337 (1277)	2744 (193)
4" (101.6)	.98 (3.7)	49 (185)	7958 (561)	118 (445)	7877 (555)	196 (741)	4726 (333)	294 (1112)	3151 (222)	441 (1668)	2100 (148)
4 1/2" (114.3)	1.24 (4.7)	62 (235)	6288 (443)	149 (563)	6224 (439)	248 (938)	3734 (263)	372 (1407)	2489 (175)	558 (2111)	1660 (117)
Input Power (kw)		253(188)		600(448)		600(448)		600(448)		600(448)	